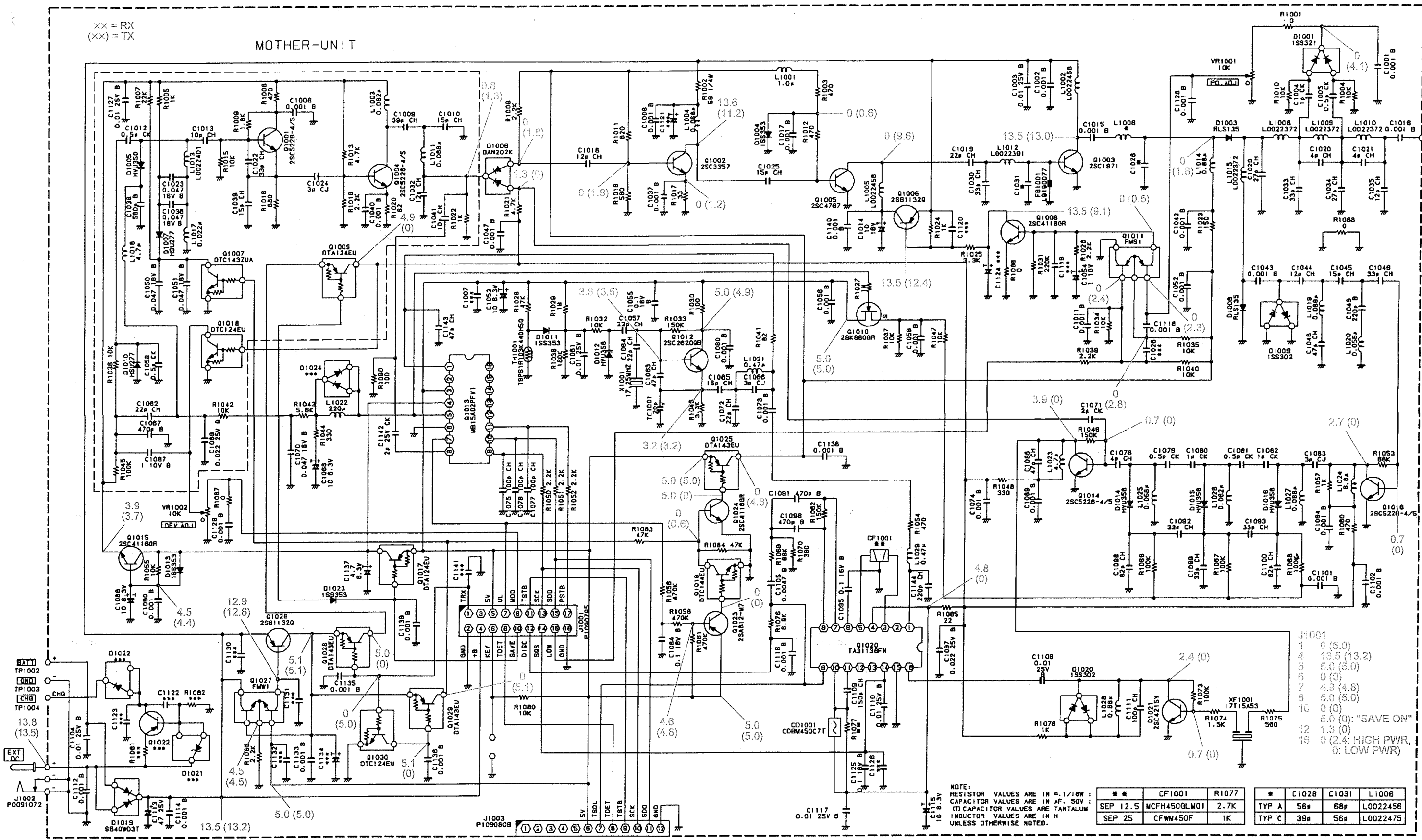


Circuit Diagram

MOTHER-UNIT

xx = RX  
(xx) = TX



NOTE:  
RESISTOR VALUES ARE IN Ω, 1/16W ;  
CAPACITOR VALUES ARE IN μF, 50V ;  
C) CAPACITOR VALUES ARE TANTALUM  
INDUCTOR VALUES ARE IN H  
UNLESS OTHERWISE NOTED.

CF1001	R1077	C1028	C1031	L1008		
SEP 12.5	MCFH450GLM01	2.7K	TYP A	56p	68p	L0022456
SEP 25	CFWM450F	1K	TYP C	39p	56p	L0022475

- 1 0 (5.0)
- 4 13.5 (13.2)
- 5 5.0 (5.0)
- 6 0 (0)
- 7 4.9 (4.8)
- 8 5.0 (5.0)
- 10 0 (0)
- 11 5.0 (0): "SAVE ON"
- 12 1.3 (0)
- 16 0 (2.4: HIGH PWR,  
0: LOW PWR)